



## AND3222MST2 6" FSTN LCD Module

The AND3222MST2 display is a compact, full dot matrix, with "white page" appearance, LCD modules that have an on-board LCD controller (SED1330) and display memory (RAM). The AND3222MST2 can display TEXT information, numerals, letters and symbols, as well as GRAPHIC patterns. These devices are suitable for medical and measurement equipment, point-of-sale terminals, portable equipment, and marine instrumentation.

### Features • RoHS Compliant

- Black and white ST (MST) transfective positive mode
- Built-in CCFL backlight
- Excellent readability and high-contrast ratio
- 320 (W) x 240 (H) dot graphic display
- Built-in LCD controller (SED1330)
- Wide operating temperature range (-20 to +70 °C)
- Available without controller (AND322MST-C)
- 6 o'clock viewing angle

### Mechanical Characteristics

Item	Specification	Unit
Outline Dimensions	148.0 (W) x 120.2 (H) x 20.5 max (D)	mm
Number of Pixels	320 (W) x 240 (H)	pixels
Active Area	120.14 (W) x 92.14 (H)	mm
Pixel Size	0.33 (W) x 0.33 (H)	mm
Pixel Pitch	0.36 (W) x 0.36 (H)	mm
Duty	1/240	-
Controller	SED1335	-
DC/DC Converter	With	-

### Absolute Maximum Ratings

Item	Symbol	Min.	Max.	Unit
Power Supply for Logic	$V_{DD} - V_{SS}$	-0.3	7.0	V
Power Supply for LCD	$V_{DD} - V_{LCD}$	0	30	V
Input Voltage	$V_I$	-0.3	$V_{DD}$	V
CCFL Driving Voltage	$V_{FL}$	0	500	Vrms
CCFL Input Current	$I_{FL}$	-	7.0	mA
Storage Temperature	$T_{stg}$	-30	+80	°C
Operating Temperature	$T_{op}$	-20	+70	°C
Humidity	-	-	80	% RH

### Electrical/Optical Characteristics (Ta = 25°C)

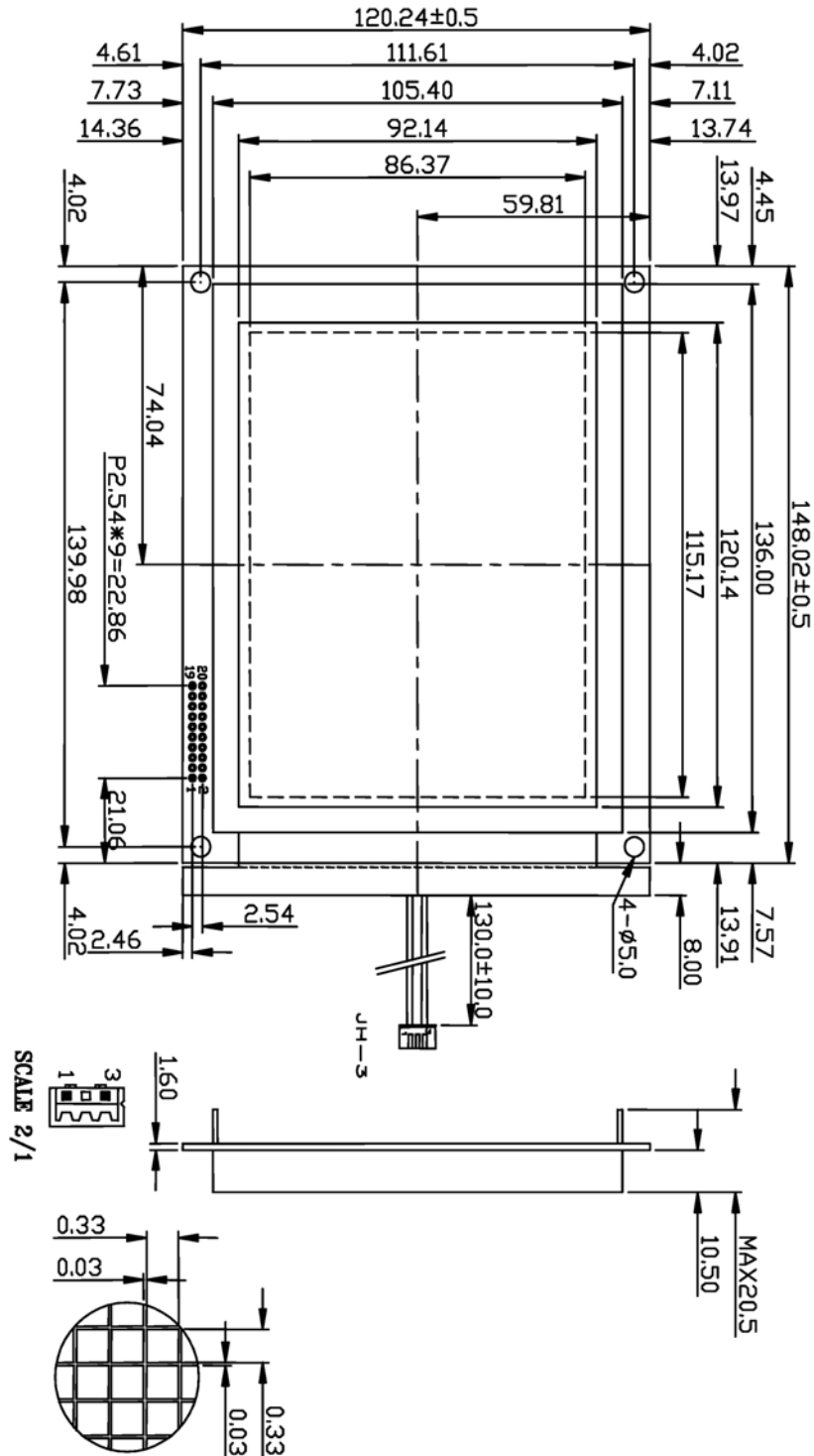
Item	Symbol	Condition	Min.	Typ.	Max.	Unit
Power Supply for Logic	$V_{DD} - V_{SS}$	-	4.5	5.0	5.5	V
Power Supply for LCD Drive	$V_{LCD} - V_{SS}$	-	-21.6	-22.1	-22.7	V
Input Voltage	$V_{IL}$	L level	0	-	0.6	V
	$V_{IH}$	H level	2.2	-	$V_{DD}$	V
	$V_{DD} - V_O$	Ta = 0°C	-	22.7	-	V
		Ta = 25°C	-	24.3	-	
Ta = 50°C		-	25.8	-		
Power Supply Current for LCM	$I_{DD}$	$V_{DD} = 5.0V$ $V_{DD} - V_O = 24.3V$	34.9	31.3	-	mA
	$I_{EE}$		-	3.6	-	
CCFL Starting Voltage	$V_{FLS}$	-	-	750	-	Vrms
CCFL Driving Voltage	$V_{FLD}$	-	-	360	-	Vrms
CCFL Driving Current	$I_{FLD}$	$V_{FLD} = 450Vrms$ $f_{FL} = 30kHzV$	-	5.0	-	mA
CCFL Driving Frequency	$f_{FL}$		15	30	85	KHz
CCFL Saturation Time	$t_{SAT}$	Ta = 25°C	-	3	-	minut
Viewing Angle Range	$\Phi f$ (12 o'clock)	When Cr ≥ 1.4	-	20	-	°
	$\Phi b$ (6 o'clock)		-	40	-	
	$\Phi l$ (9 o'clock)		-	30	-	
	$\Phi$ (3 o'clock)		-	30	-	
Rise Time	$T_r$	$V_{DD} - V_O = 24.3V$ Ta = 25°C	-	175	-	ms
Fall Time	$T_f$		-	170	-	
Frame Frequency	$F_{rm}$		-	64	-	Hz
Contrast	Cr		-	4.5	-	-
Brightness of Backlight	L	-	600	650	-	cd/m <sup>2</sup>

Product specifications contained herein may be changed without prior notice.

It is therefore advisable to contact Purdy Electronics before proceeding with the design of equipment incorporating this product.

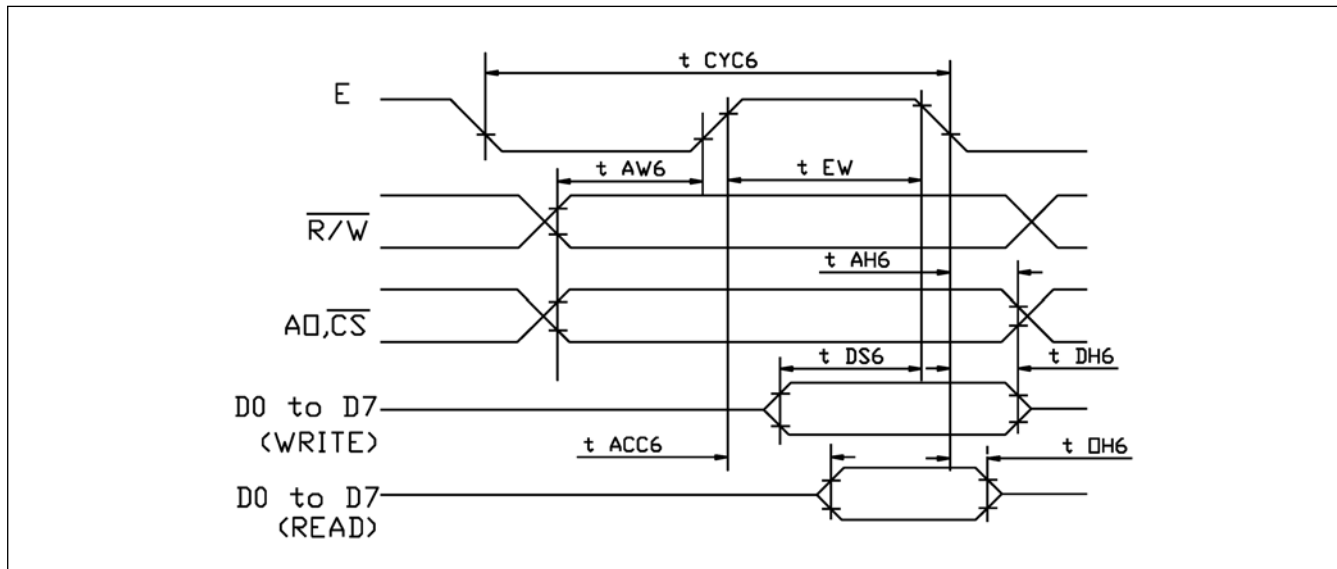
**Dimensional Outline**

Unit: mm  
Standard Tolerance: 0.5mm



**Timing Specifications**

Item	Symbol	Min	Typ	Max	Unit
System Cycle Time	$t_{CVC}$	425	–	–	ns
Address Set-up Time	$t_{AW}$	30	–	–	ns
Address Hold Time	$t_{AH}$	10	–	–	ns
Data Set-up Time	$t_{DS}$	120	–	–	ns
Data Hold Time	$t_{DH}$	10	–	–	ns
Output Disable Time	$t_{OH}$	10	–	50	ns
AccessTime	$t_{ACC}$	–	–	120	ns
Enable Pulse Width	Read	$t_{EW}$	–	–	ns
	Write		–	–	ns

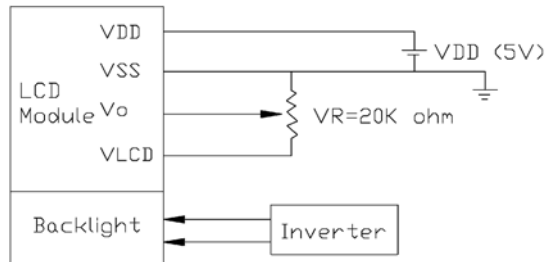
**Timing Chart**

**Environmental Absolute Maximum Ratings**

Item	Normal Temperature				Wide Temperature			
	Operating		Storage		Operating		Storage	
	Min.	Max.	Min.	Max.	Min.	Max.	Min.	Max.
Ambient Temperature	0 °C	+50 °C	-20 °C	+70 °C	-20 °C	+70 °C	-30 °C	+80 °C
Humidity (without condensation)	See Notes 1, 3		See Notes 2, 4		See Notes 3, 4		See Notes 3, 5	

**NOTES:**

- $T_a \leq 50$  °C: 80% RH max  
 $T_a > 50$  °C: Absolute humidity must be lower than the humidity of 85%RH at 50 °C
- $T_a$  at -20 °C will be < 48 hrs at 0 °C will be <120 hrs when humidity is higher than 75%.
- Background color changes slightly depending on ambient temperature. This phenomenon is reversible.
- $T_a \leq 70$  °C: 75RH max  
 $T_a > 70$  °C: absolute humidity must be lower than the humidity of 75%RH at 70 °C.
- $T_a$  at -30 °C will be <48hrs, at 80 °C will be <120hrs when humidity is higher than 75%.

### Power Supply



### Connector Pin Assignment for Interface

#### Interface Pin Assignment

Terminal No.	Symbol	Level	Function
1	V <sub>SS</sub>	0V	Power Supply Ground
2	V <sub>DD</sub>	5V	Logic Supply Voltage
3	V <sub>O</sub>	-	Contrast Adjustment Voltage
4	/RD	L	Read Signal
5	/WR	L	Write Signal
6	A <sub>0</sub>	H/L	Data Type Select
7	DB0	H/L	Data Bus Line
8	DB1	H/L	
9	DB2	H/L	
10	DB3	H/L	
11	DB4	H/L	
12	DB5	H/L	
13	DB6	H/L	
14	DB7	H/L	
15	/CS	L	Chip Signal
16	/RST	L	Reset Signal
17	V <sub>LCD</sub>	-	Power Supply for LCD
18	FG	-	For GND
19	NC	-	No Connection
20	NC	-	No Connection

### Block Diagram

