



PC-TFT-35XS

Interface Board

Features

- Used for TFT-LCD display: 3.5" AND-TFT-35XS
- Ultra compact, light, thin and small
- DC/DC DC/AC Video Decoder all in one
- NTSC/PAL Video Input Switch
- Up/Down, Left/Right Display Reverse
- Composite Video RGB Mode Switchable
- RoHS Compliant

The PC-TFT-35XS is designed to work with the AND-TFT-35XS color TFT display which is suitable for security, video game, door phone, video phone, portable TV and instrument display applications.

Do not use for products which demand extremely high performance in terms of functionality, reliability, or accuracy. Products such as: aerospace equipment, control equipment for nuclear power industry or medical equipment related to life support.

Mechanical Characteristics

Item	Specification	Unit
Outline Dimension	62.5 (W) x 52 (H) x 7.5 (D)	mm
Weight	20	g

Absolute Maximum Rating

Item	Symbol	Conditions	Min.	Max.	Unit
Operating Temperature	Top	—	0	60	°C
Storage Temperature	Tstg	—	-30	80	°C

DC to DC Converter

Voltage (V)	Current (mA)	Total Regulation			Ripple & Noise (mV)
		Min.	Typ.	Max.	
+5V	50-100	4.8	5.0	5.1	50
+7.5V	6~10	7	9.1	9.5	200
+15V	5~5	12	15	16	200
-12V	2-5	-9	-12	-15	200

Input

Characteristics:

Typical Input Voltage: 8V DC

Input Voltage Range: 6VDC to 15 VDC

Input Current: 150mA, Typical at 12VDC with panel load.

Inrush Current Max: 250mA at 6VDC, 130mA at 15VDC Cold start at 25C, 5.0VDC with panel load.

Sync. Pulse: 60KHz Typical

Product specifications contained herein may be changed without prior notice.

It is therefore advisable to contact Purdy Electronics before proceeding with the design of equipment incorporating this product.



Terminal Pin Assignment

Pin No.	Symbol	I/O	Description	Remarks
1	Vin	I	+12 V Voltage DC Input	–
2	GND	–	Power Ground	–
3	GND	–	Power Ground	–
4	GND	–	Signal Ground	–
5	Video/ SVHS- Y	I	Video input (1V p-p/75 Ω)	–
6	+5V	O	Voltage DC Output	The +5V power supply external control circuit (Max. output is 10mA)
7	Bright	I	Brightness control	–
8	Con- trast	I	Contrast control	–
9	Color	I	Color control	–
10	Tint	I	Tint control	The TINT is only operating in NTSC system.
11	NTSC/ PAL	O	System Auto detect output	The output High level for NTSC mode and Low level for PAL mode.
12	LRC	I	Screen Left/Right reverse	Default +5V or floating is normal scanning and 0V is for reversed scanning.
13	UDC	I	Screen Up/Down reverse	Default +5V or floating is normal scanning and 0V is for reversed scanning.
14	Dim- mer	I	Backlight brightness control	–
15	Enable	I	Backlight On/Off	The floating or 0V is backlight on and 5V is backlight off.

Output Characteristics:

DC to DC Backlight Inverter:

Starting Voltage: 15.8VDC, typical at 6.0 VDC

Working Voltage: 16.0 VDC, typical at 15 VDC

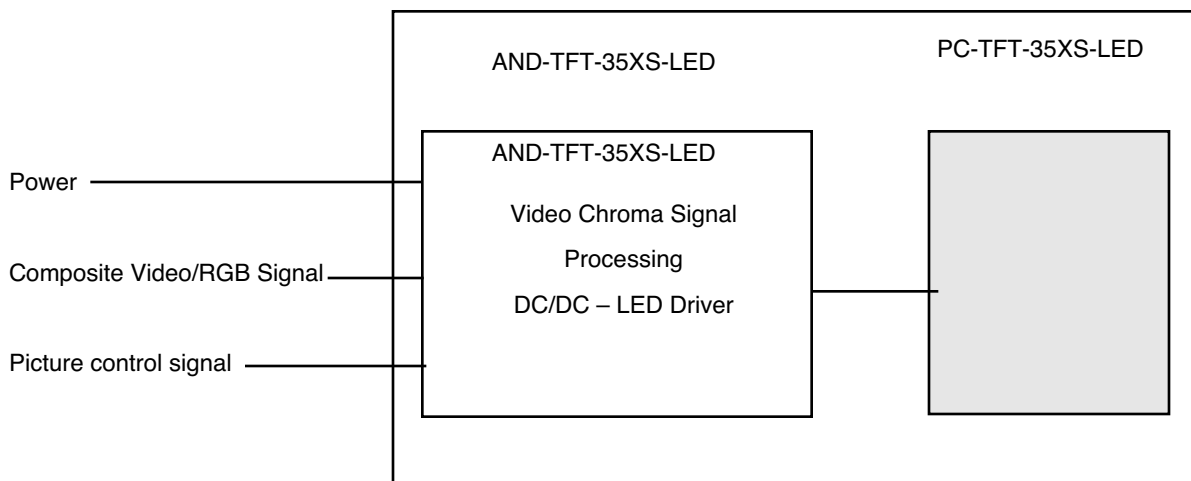
Working Current: DC 10mA ± 20% typical for general application.

Connector:

Pin No: FC12D (Bottom Contact)

Pitch: FC 1.0mm

Block Diagram



Dimensional Outline

