



## PM240-24D-1751B-2TP

### Features

Size: 172 x 150 x 51 mm

Airflow: 251 CFM

Weight: 0.8 kg

Noise: 57.5 dBa (avg.)

Impeller: Reinforced Plastic (94V-0)

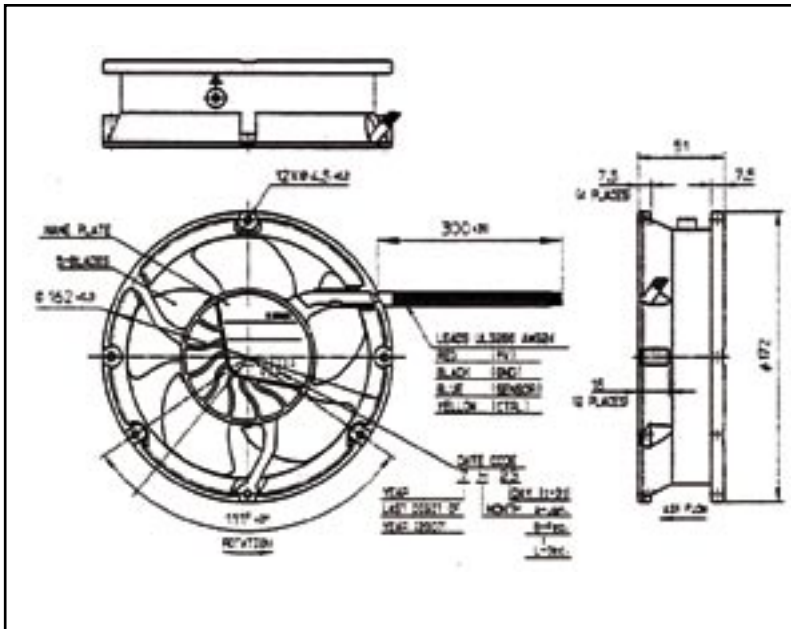
Frame: Aluminum Alloy

Bearings: Sealed Ball

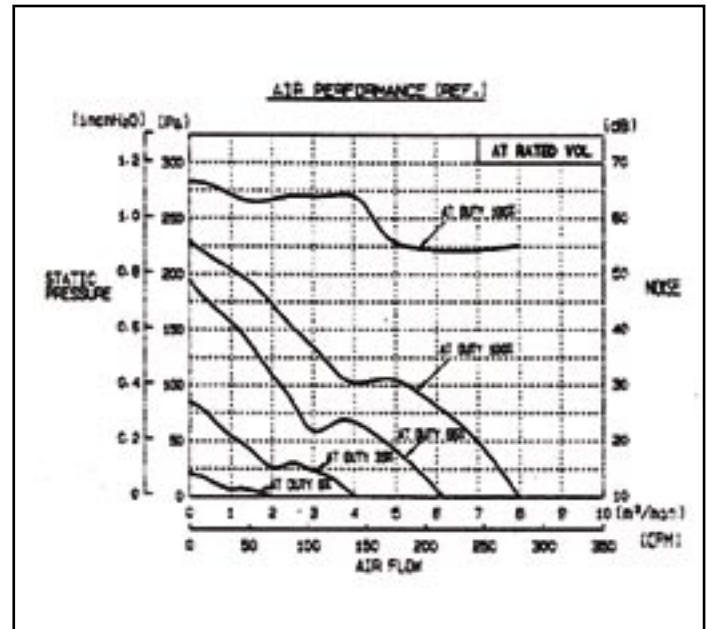
 UL E101153

 CUL E101153

### Dimensions – inches mm



### Air Flow vs. Air Pressure



### Absolute Maximum Ratings

| Type                | Rated Voltage (V) | Operating Frequency (Hz) | Input Power (W) (@ 60 Hz) | Max Air Flow (CFM) | Max Air Pressure (in H2) | Noise (dBa) | Operating Temperature (°C) | Life Expectancy (Hr) (@ 40 °C) |
|---------------------|-------------------|--------------------------|---------------------------|--------------------|--------------------------|-------------|----------------------------|--------------------------------|
| PM240-24D-1751B-2TP | 24                | 50/60                    | 19.0                      | 251                | 0.88                     | 57.5        | -20 ~ +70                  | 80,000                         |

\*Measured 1 m from intake