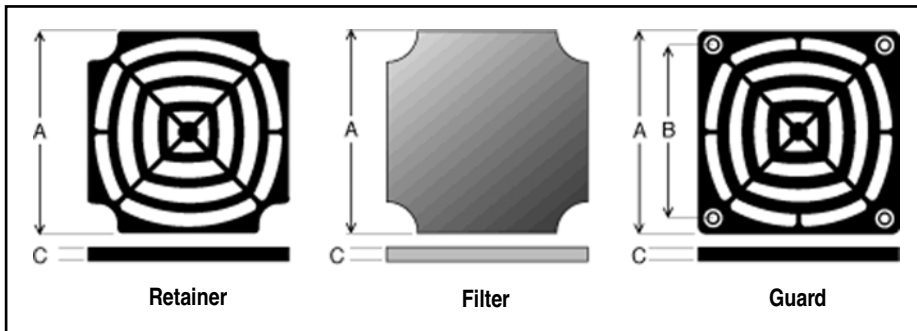
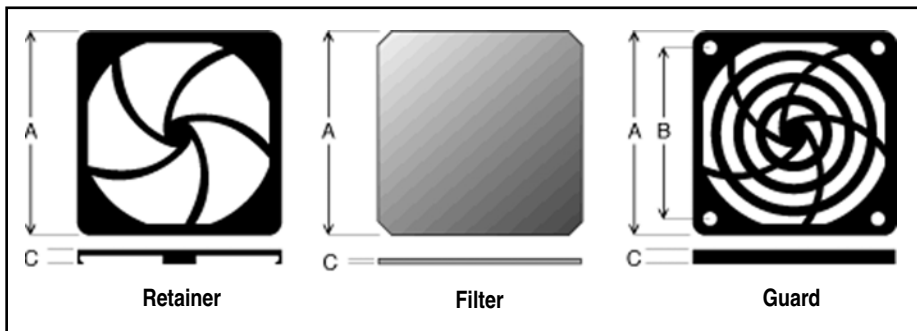


## Plastic Filter Assemblies

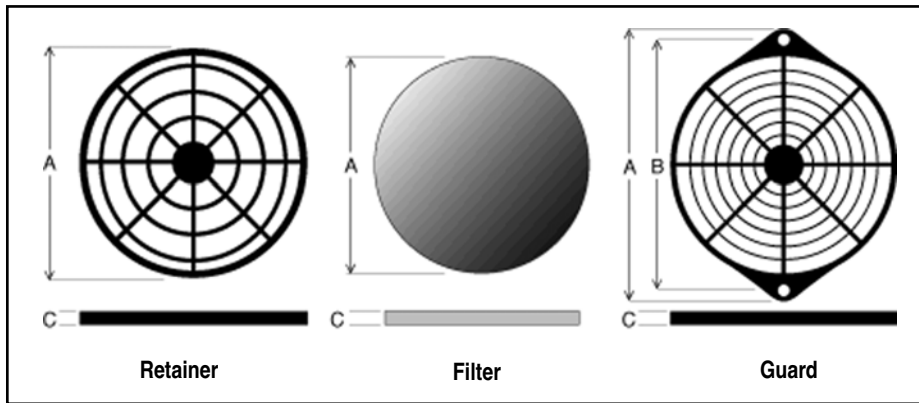
These assemblies consist of a finger guard, foam filter and retainer. The guards and retainer are manufactured using high impact plastics which all meet UL94-V0 flammability requirements. The foam filter assembly is manufactured to meet UL94MF1, smoke generation requirements. These assemblies are designed to remove contaminants and dust particles, when used with 40mm - 60mm - 80mm - 92mm - 120mm - 162mm tubeaxial cooling fans. Filter media comes in 45 PPI. These cost effective designs allow for easy filter replacement, without removing the fan or any mounting hardware. The guard portion of each design conforms to 1/4" plug gauge test requirements, for added safety.



Part No.	Fan Compatibility	Component	A	B	C
40FP-45	40 mm	Retainer	1.57 in.	1.26 in.	.24 in.
		Filter	1.57 in.	1.26 in.	.24 in.
		Guard	40.0 mm	32.0 mm	6.1 mm
60FP-45	60 mm	Retainer	2.36 in.	1.97 in.	.26 in.
		Filter	2.36 in.	1.97 in.	.26 in.
		Guard	60.0mm	50.0mm	6.6mm



Part No.	Fan Compatibility	Component	A	B	C
80FP-45	80 mm	Retainer	3.29 in.	2.81 in.	.39 in.
		Filter	3.29 in.	2.81 in.	.39 in.
		Guard	83.5 mm	71.4 mm	9.9 mm
92FP-45	92mm	Retainer	3.77 in.	3.25 in.	.40 in.
		Filter	3.77 in.	3.25 in.	.40 in.
		Guard	95.8 mm	82.6 mm	10.2 mm
120FP-45	120mm	Retainer	4.88 in.	4.13 in.	.44 in.
		Filter	4.88 in.	4.13 in.	.44 in.
		Guard	122.0 mm	104.9 mm	11.2 mm



Part No.	Fan Compatability	Component	A	B	C
162FP-45	162 mm	Retainer	7.06 in.	6.38 in.	.31 in.
		Filter	7.06 in.	6.38 in.	.31 in.
		Guard	179.3 mm	162.0 mm	7.9 mm

Product specifications contained herein may be changed without prior notice.  
 It is therefore advisable to contact Purdy Electronics before proceeding with the design of equipment incorporating this product.