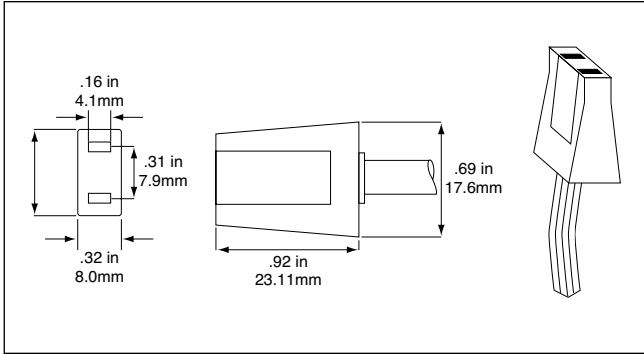


Fan Cords

• RoHS Compliant

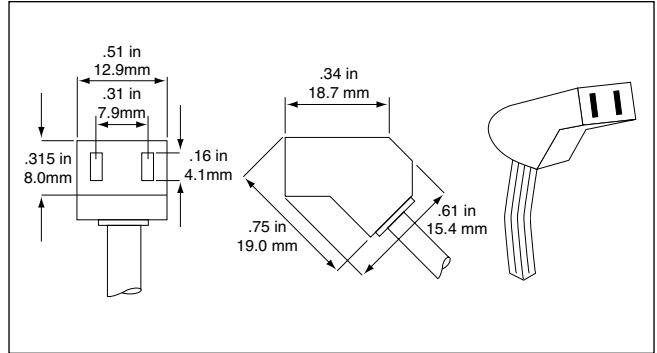
Part No. 5505 (Plug & Cord–Straight)

Plug and cord assembly, 24" long with blunt cut ends.
UL rated 10A/125VAC.



Part No. 5505-45D (Plug & Cord–45°)

Plug and cord assembly, 24" long with blunt cut ends.
UL rated 10A/125VAC.



Product specifications contained herein may be changed without prior notice.

It is therefore advisable to contact Purdy Electronics before proceeding with the design of equipment incorporating this product.