



PC-TFT-35XS-LED

Interface Board

Features

- Used for TFT-LCD display: 3.5" AND-TFT-35XS-LED
- Ultra compact, light, thin and small
- DC/DC DC/AC Video Decoder all in one
- NTSC/PAL Video Input Switch
- Up/Down, Left/Right Display Reverse
- Composite Video RGB Mode Switchable
- RoHS Compliant

The PC-TFT-35XS-LED is designed to work with the AND-TFT-35XS-LED color TFT display which is suitable for security, video game, door phone, video phone, portable TV and instrument display applications.

Do not use for products which demand extremely high performance in terms of functionality, reliability, or accuracy. Products such as: aerospace equipment, control equipment for nuclear power industry or medical equipment related to life support.

Mechanical Characteristics

| Item | Specification | Unit |
|-------------------|-----------------------------|------|
| Outline Dimension | 62.5 (W) x 52 (H) x 7.5 (D) | mm |
| Weight | 20 | g |

Absolute Maximum Rating

| Item | Symbol | Conditions | Min. | Max. | Unit |
|-----------------------|--------|------------|------|------|------|
| Operating Temperature | Top | – | 0 | 60 | °C |
| Storage Temperature | Tstg | – | -30 | 80 | °C |

DC to DC Converter

| Voltage (V) | Current (mA) | Total Regulation | | | Ripple & Noise (mV) |
|-------------|--------------|------------------|------|------|---------------------|
| | | Min. | Typ. | Max. | |
| +5V | 50-100 | 4.8 | 5.0 | 5.1 | 50 |
| +7.5V | 6~10 | 7 | 9.1 | 9.5 | 200 |
| +15V | 5~5 | 12 | 15 | 16 | 200 |
| -12V | 2-5 | -9 | -12 | -15 | 200 |

Input

Characteristics:

Typical Input Voltage: 8V DC

Input Voltage Range: 6VDC to 15 VDC

Input Current: 150mA, Typical at 12VDC with panel load.

Inrush Current Max: 250mA at 6VDC, 130mA at 15VDC Cold start at 25C, 5.0VDC with panel load.

Sync. Pulse: 60KHz Typical

Product specifications contained herein may be changed without prior notice.

It is therefore advisable to contact Purdy Electronics before proceeding with the design of equipment incorporating this product.



Terminal Pin Assignment

| Pin No. | Symbol | I/O | Description | Remarks |
|---------|--------|-----|-------------------------|---------------------------------------|
| 1 | +5V | O | 5.0V output | - |
| 2 | COL | I | color adj. | - |
| 3 | BRT | I | brightness adj. | - |
| 4 | CNT | I | contrast adj. | - |
| 5 | Video | I | composite video signal | The signal resistance is 75Ω, 1V p-p. |
| 6 | U/P | I | up/down scan control | +5V or GND |
| 7 | R/L | I | left/right scan control | +5V or GND |
| 8 | GND | I | ground | - |
| 9 | GND | I | ground | - |
| 10 | +12V | I | +12V DC power input | - |
| 11 | HSY | O | HSY output | - |
| 12 | VSY | O | VSY output | - |

Connector:

Pin No: FC12D (Bottom Contact)

Pitch: FC 1.0mm

Output Characteristics:

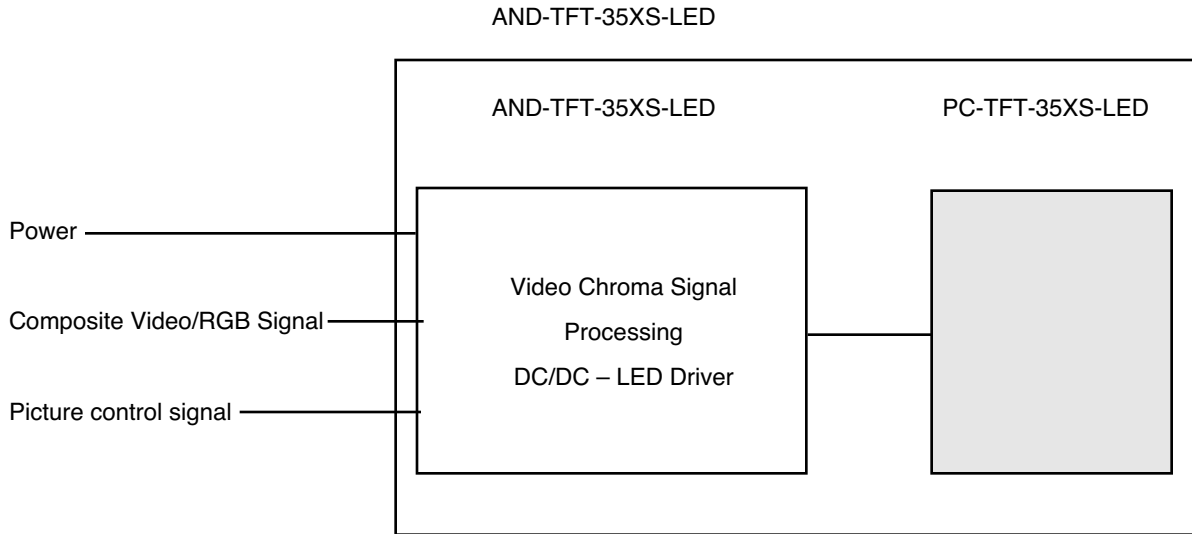
DC to DC Backlight Inverter:

Starting Voltage: 15.8VDC, typical at 6.0 VDC

Working Voltage: 16.0 VDC, typical at 15 VDC

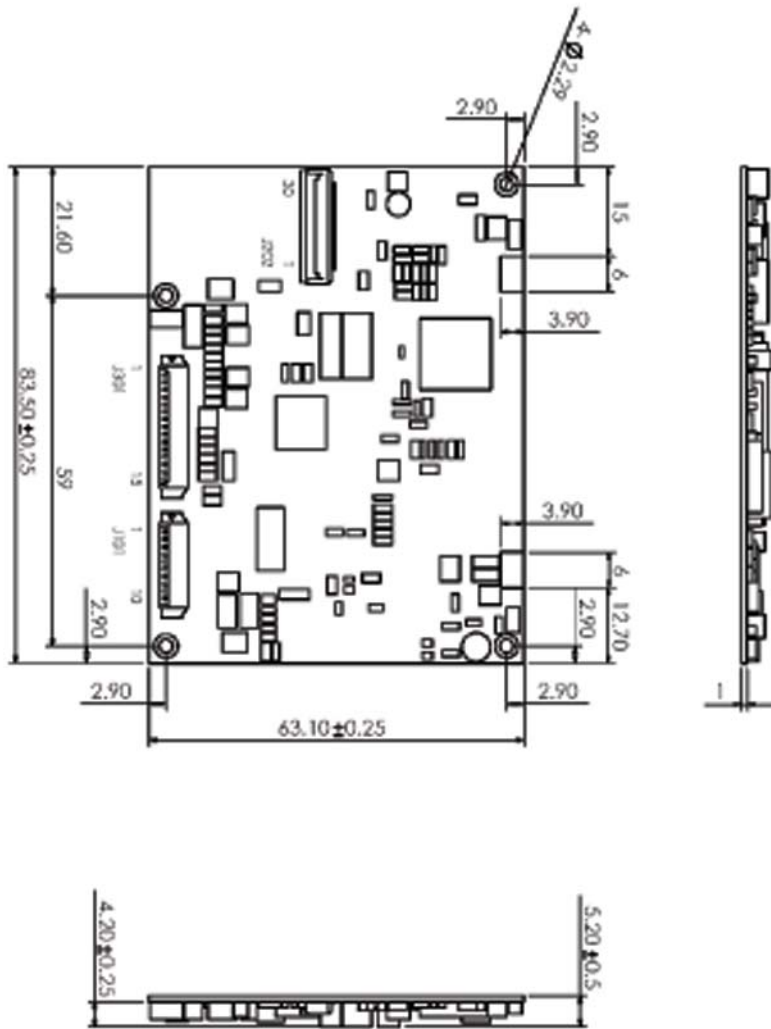
Working Current: DC 10mA ± 20% typical for general application.

Block Diagram





Dimensional Outline





Dimensional Outline

